

Version: 1.0 EN / Item no.: 00601-3-887

## Conversion instructions for ES/KS metering shutter

**Please read carefully before performing the conversion!**



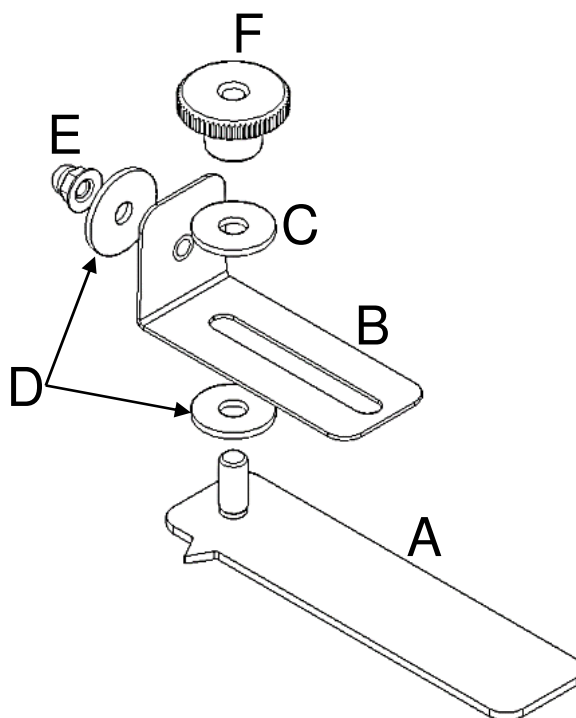
TRANSLATION OF ORIGINAL CONVERSION INSTRUCTIONS

## Table of contents

<b>1</b>	<b>Scope of delivery</b> .....	<b>2</b>
<b>2</b>	<b>Assembly</b> .....	<b>2</b>
2.1	Removing the agitator grid .....	2
2.2	Removing the shutter cover .....	3
2.3	Installing the new metering shutter.....	3
2.4	Sealing and reassembly.....	3

## 1 Scope of delivery

- 1x **A**-metering shutter plate 1 ES
- 1x **B**-metering shutter plate 2 ES
- 2x **C**-washer (plastic)
- 1x **D**-body washer
- 1x **E**-cap nut
- 1x **F**-knurled nut



## 2 Assembly

### 2.1 Removing the agitator grid

Loosen the 2 flange nuts **G** (10 mm spanner) with which the agitator grid is installed in the tank and put the grid, carriage bolts, flange nuts and enclosed washers aside.

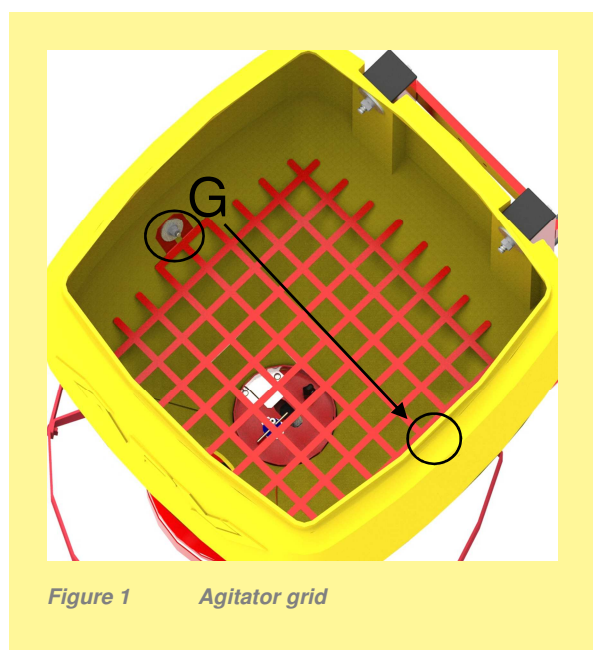


Figure 1 Agitator grid

## 2.2 Removing the shutter cover

Loosen the 2 bolts **I** (X20 torx) and use a suitable tool to cut the silicon seam along the shutter cover **H**. Now put the shutter cover **H** and the 2 bolts **I** aside.

Now dismantle and remove the old metering shutter **J**.

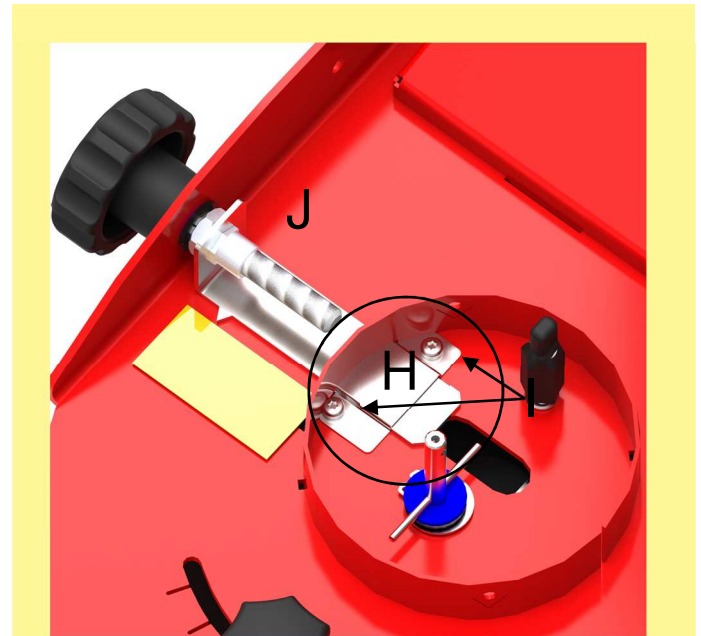


Figure 2 Shutter cover

## 2.3 Installing the new metering shutter

See Point 1 Scope of Delivery and Figure 3.

Push the metering shutter plate 2 ES(**B**) into the intended opening in the tank.

Put a washer (**C**) over the threaded bolt. Then attach the metering shutter plate 1 ES(**A**) with the 2nd washer (**C**) and the cap nut (**E**) to the frame.

Finally, connect and fix the two metering shutter plates with the plastic body washer (**D**) and the knurled nut (**F**).

To adjust the shutter opening, loosen the knurled nut (**F**) and push the metering shutter plate 2 ES(**B**) along the scale until you reach the desired position.



### Please note!

The values for the shutter position can be found in the setting chart.

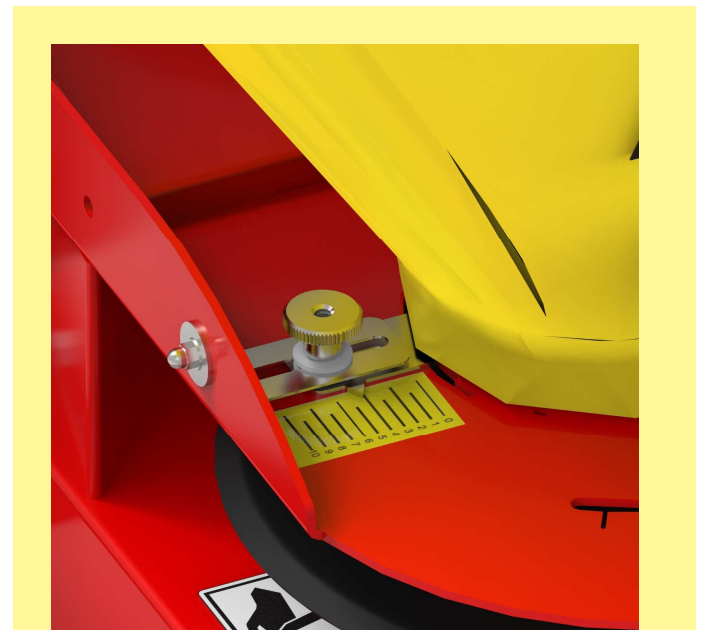


Figure 3 New metering shutter installed

## 2.4 Sealing and reassembly

After the installation, the shutter cover **H** (Figure 2) must be fastened with the 2 bolts **I** and sealed with silicon again.

Finally, the agitator grid is reinstalled with the 2 flange nuts **G**.

# Qualität für Profis

- seit 1997 -



## **APV – Technische Produkte GmbH**

HEADQUARTERS

Dallein 15, 3753 Hötzelsdorf, Austria

Telephone: +43 (0) 2913 / 8001

Fax: +43 (0) 2913 / 8002

Email: [office@apv.at](mailto:office@apv.at)

Web: [www.apv.at](http://www.apv.at)



## **APV Kompetenz-Center Nord GmbH**

Westerburger Weg 49, 26203 Wardenburg, Germany

Telephone: +49 (0) 4407 / 71865-0

Fax: +49 (0) 4407 / 71865-19

Email: [office@apv-deutschland.de](mailto:office@apv-deutschland.de)

Web: [www.apv-deutschland.de](http://www.apv-deutschland.de)

Photo credits:

Company photos (©APV)