



Version: 1.0 EN / Item no.: 00601-3-934

Conversion instructions - Shovel bracket accessories kit for UDW 100&250

Please read carefully before initial operation!

TRANSLATION OF
ORIGINAL CONVERSION INSTRUCTIONS

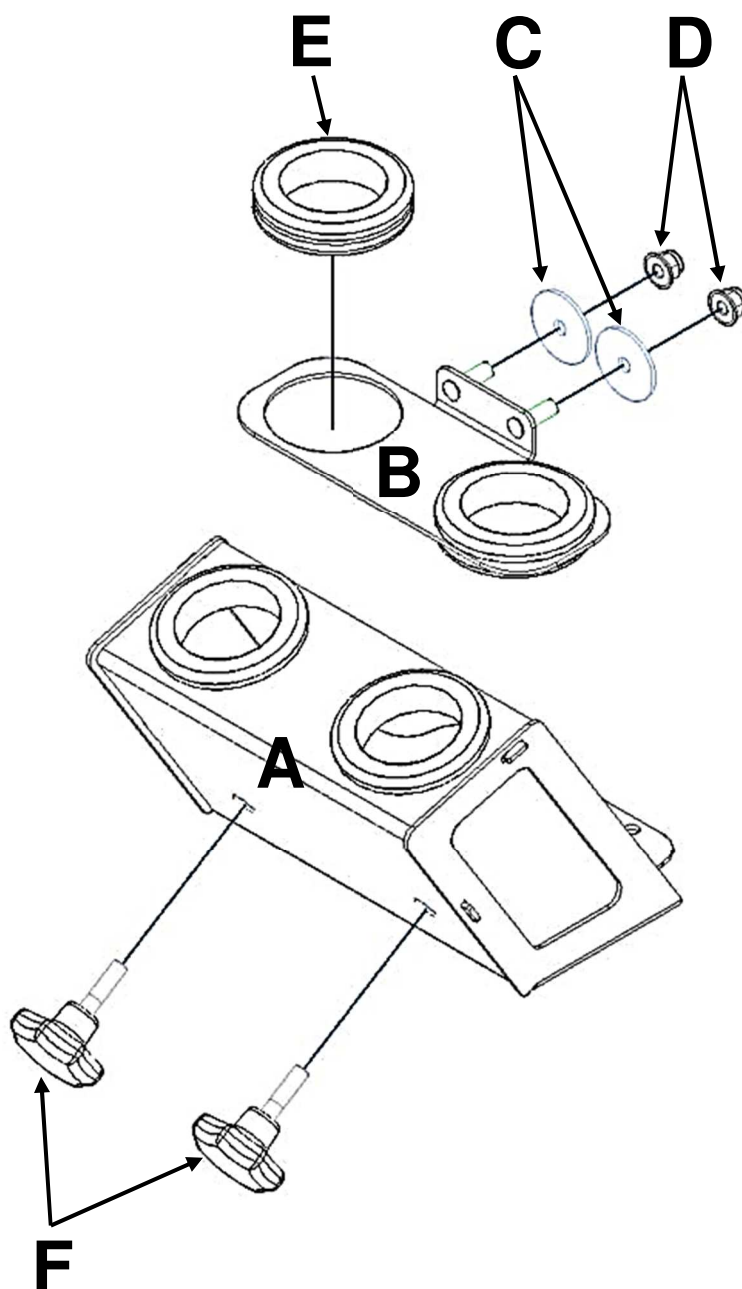
APV
www.apv.at ®

Table of contents

1	Lieferumfang	2
2	Montage	3
2.1	Untere Schaufelhalterung	3
2.2	Obere Schaufelhalterung	3

1 Items included

- 1x **A**- plate profile 1 shovel bracket
- 1x **B**- plate profile 2 shovel bracket with 2 insert threaded bolts
- 2x **C**- washer M6x30
- 2x **D**- flange nut M6
- 4x **E**- grommet
- 2x **F**- star knob screw



2 Assembly

2.1 Lower shovel bracket

First remove the M6 nuts on the frame near the metering unit. Put them aside.

Then put the plate profile 1 shovel bracket (A) on the insert threaded bolts and fasten the bracket with the previously removed nuts.

The two star knob screws (F) can then be screwed in. They are used during operation to fasten the tools.

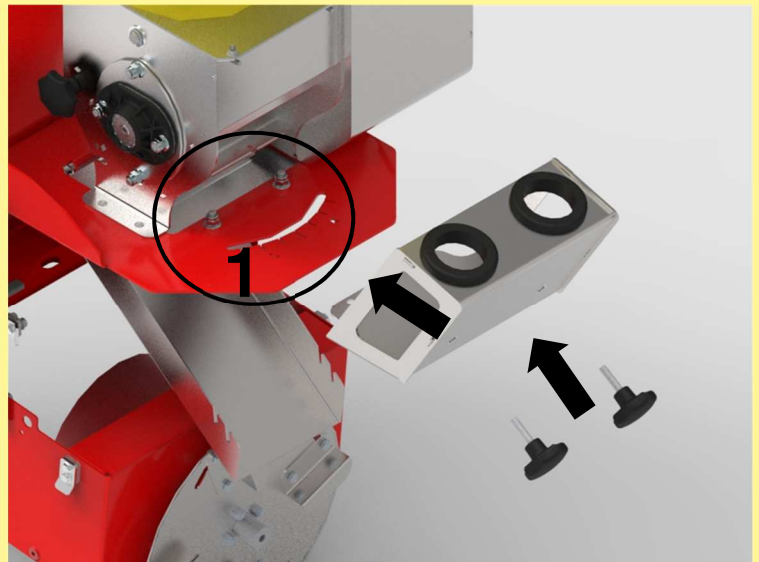


Figure 1: Installation of the lower shovel bracket

2.2 Upper shovel bracket

For the upper shovel bracket, drill 2 holes ($\varnothing 6\text{mm}$) in the hopper. Then insert the plate profile 2 shovel bracket with the insert threaded screw (B) through the drilled holes and fasten it with 2 washers (C) and 2 flange nuts (D) from the inside of the hopper.



Figure 2: Installation of the upper shovel bracket



CAUTION!

After installation, a silicon joint must be applied along the plate profile to prevent any water penetration.

Qualität für Profis

- seit 1997 -



APV – Technische Produkte GmbH
HEADQUARTERS

Dallein 15, 3753 Hötzensdorf, Austria

Telephone: +43 (0) 2913 / 8001

Fax: +43 (0) 2913 / 8002

Email: office@apv.at

Web: www.apv.at

Company details

APV - Technische Produkte GmbH, Managing Director: Ing. Jürgen Schöls, Dallein 15, 3753 Hötzensdorf, Austria, marketing@apv.at, www.apv.at, UID: ATU 5067 1107

Photo credits: Company photos © APV